

InSee Device User Manual

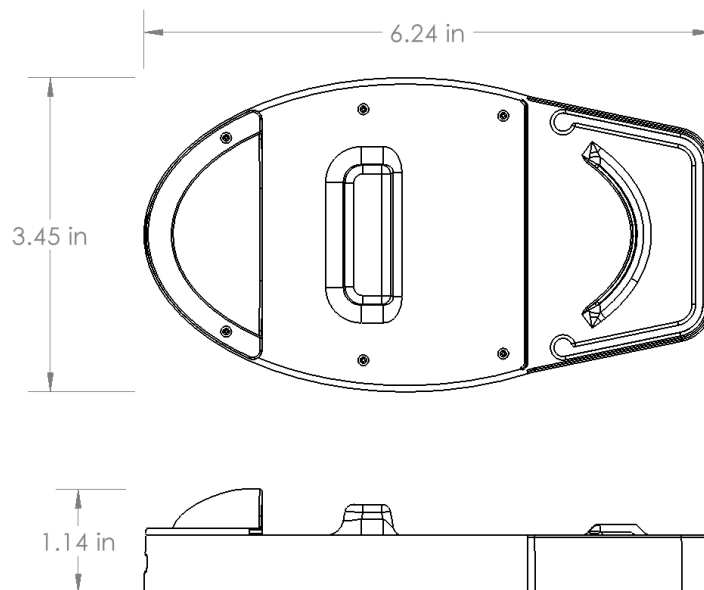


Table of Content

- Specifications and Performance page 3
- Instructions for Use page 4
 - Attaching Spirometer
 - Use by Respiratory Therapist
 - Use by Patient
 - Charging and Cleaning
- Warnings page 8
- Medical Info page 9
- Contact Info page 10

Specifications and performance

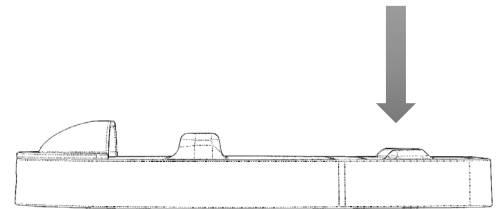
- Measures spirometer tidal volume from 500 mL to 4000 mL in 250 mL increments
- Audible and visual alarms
- User interface
 - 0.96 x 0.53 in OLED screen
 - Manual buttons
- Rechargeable lithium battery (1200 mAh)
 - Recharged using USB-C
 - 20 hour battery life
 - 2.5 hour charge time
- Weight: 4.2 oz



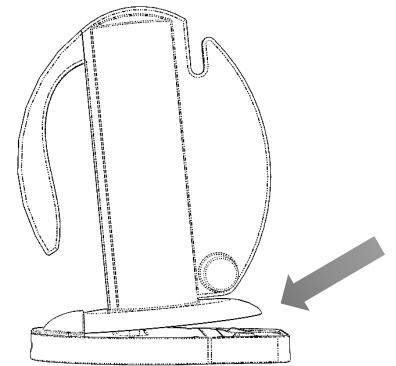
Instructions for Use:

Attaching spirometer

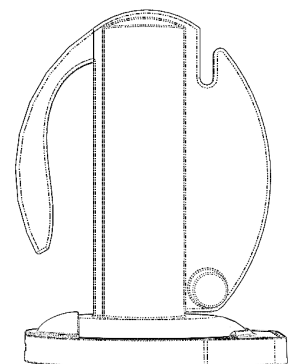
Step 1 – Press down on tab



Step 2 – Slide spirometer into lip



Step 3 – Release tab

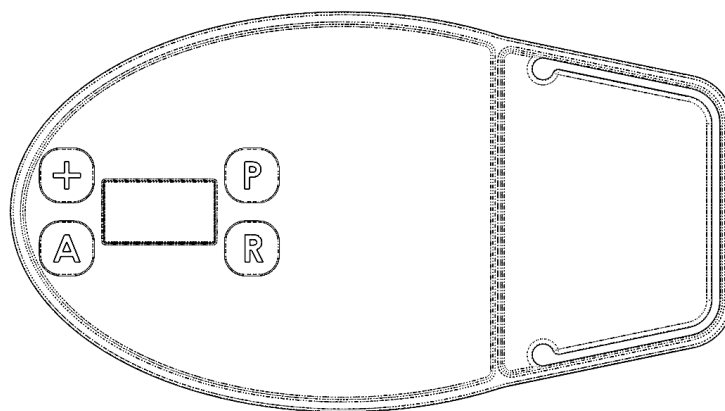


* To remove the spirometer, do these steps in reverse

Instructions for Use:

Use by respiratory therapist

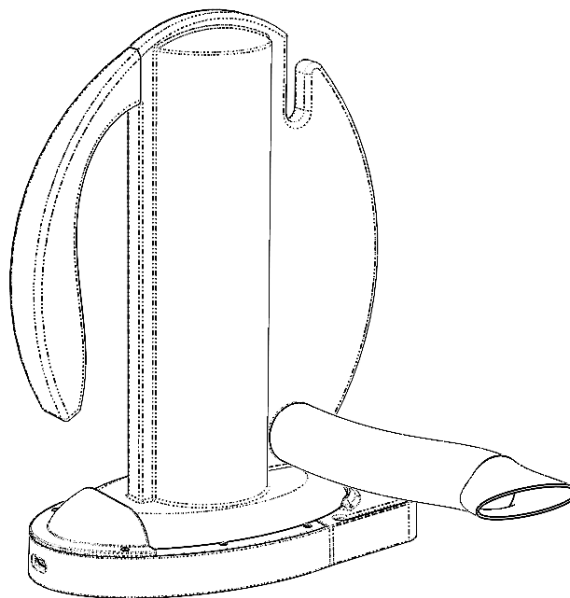
- “+” Button
 - Increase the target tidal volume in 250 mL increments
- “A” Button (Alarm)
 - Turn alarm on or off
- “P” Button (Power)
 - Turns device on and off with 3 second press
- “R” Button (Reset)
 - Resets and recalibrates the device
 - Must be done with spirometer attached
 - Must be done every time device is turned on
- Wake from sleep mode with any button press



Instructions for Use:

Use by patient

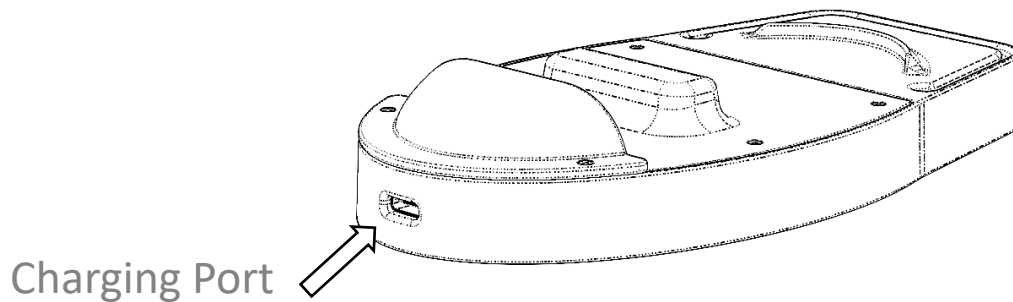
- Follow directions for normal spirometer use
- Alarm to use spirometer occurs every 10 minutes
 - Alarm will sound
 - LED will flash red
- When plunger reaches target volume, LED will flash green
- Keeps track of attempts, successes, and maximum volume



Instructions for Use:

Charging

- Charge using the USB-C cable
- LED will be solid green while charging
- LED will turn off when finished charging
- Average charge time: 2-2.5 hours



Cleaning

- Wipe down with alcohol/disinfectant wipe
- Do not immerse in liquid
- Do not autoclave

Warnings

Improper attachment

Staff should be instructed on proper attachment techniques. Attach the InSee to the spirometer per the diagram on page 4. The InSee should be tightly attached to the spirometer and not easily shifted so to ensure proper readings can be measured.

Calibration values and incorrect reads

Prior to use of the InSee device, it is carefully calibrated as part of quality control. During initial training, the healthcare provider should monitor readings to ensure proper calibration. If the healthcare provider notices improper readings, then the InSee should be recalibrated using the USB-C connection and firmware. Overall, an incorrect reading should have no risk to the patient treatment as incentive spirometers are used as preventative tools and not diagnostic tools.

Medical info

Indications for Use

InSee is compatible with the Vyaire Medical AirLife Incentive Spirometer. It is intended for use as a reusable accessory, in a hospital setting, for quantitatively tracking patient usage of the incentive spirometer as an aid in treatment of respiratory conditions by patients with COVID-19.

Contraindications

- Recent eye surgery
- Pneumothorax
- Aneurysm in brain, chest, or abdomen

Contact Info

Tidal Medical Technologies

2024 W 15th Street Suite F336

Plano, TX 75075

<https://tidalmed.tech>

Manufacturer:

VPI Technology Group

11814 S. Election Rd, Ste 200

Draper, UT 84020

www.vpитеchnology.com

**For immediate assistance 24/7: please contact
Tidal Medical Technologies at 1-508-479-6116 or
1-214-864-5629**